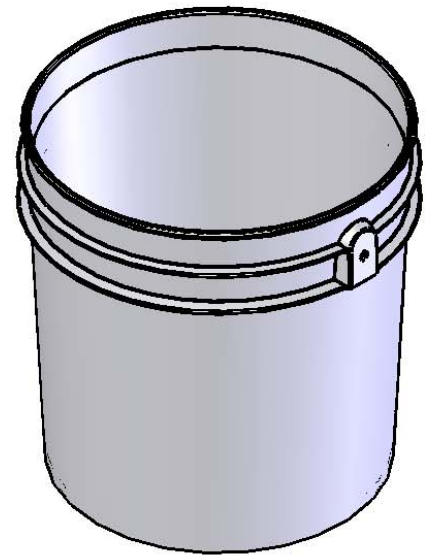
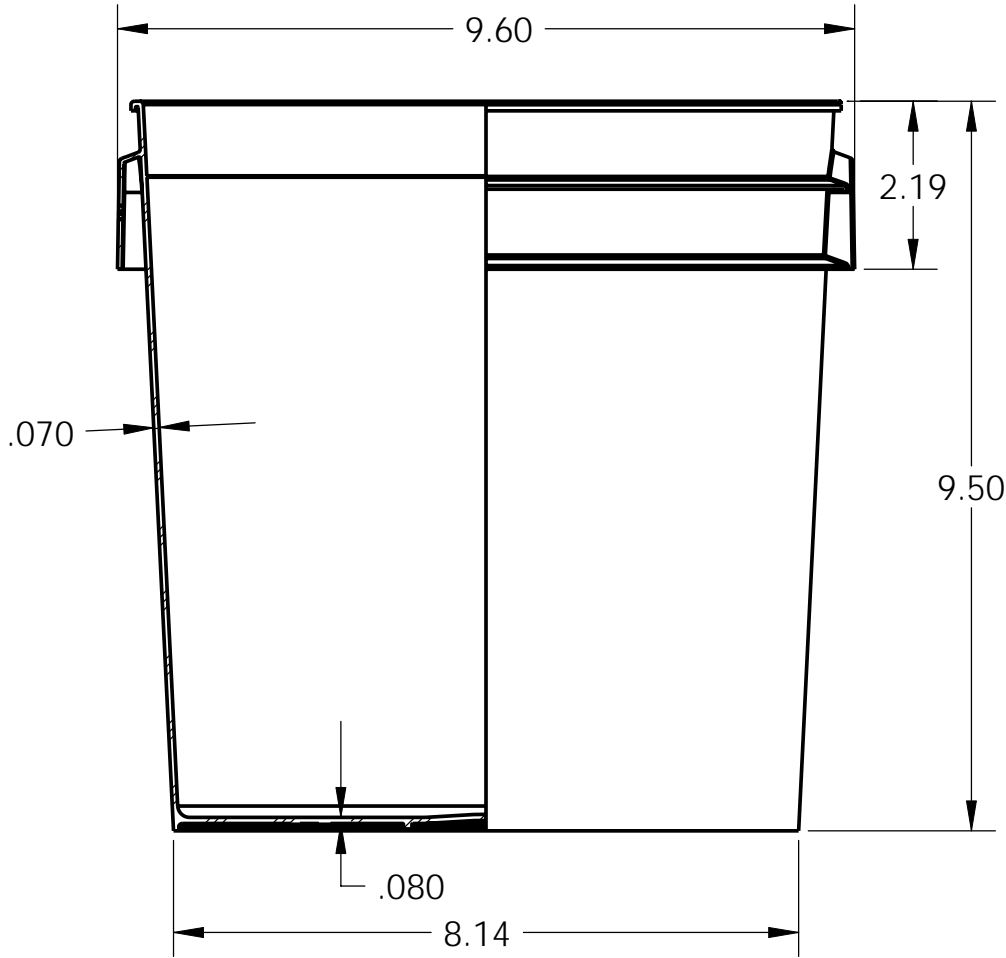


DIMENSIONS



FUNCTIONAL

REFERENCE WEIGHT	375g
PRINT AREA	5.25" x 25.25"
PRACTICAL FILL VOLUME	2.0G
OVERFLOW VOLUME	2.38G
COLOR OPTIONS	PLEASE CONTACT SALES ASSOCIATE
COMPATIBLE LIDS	PLEASE CONTACT SALES ASSOCIATE
RESIN	PREMIUM INJECTION GRADE HDPE